



**John  
BOOS**  
Since 1887

ITEM #: \_\_\_\_\_ QTY: \_\_\_\_\_  
 MODEL #: \_\_\_\_\_  
 PROJECT NAME: \_\_\_\_\_

071018

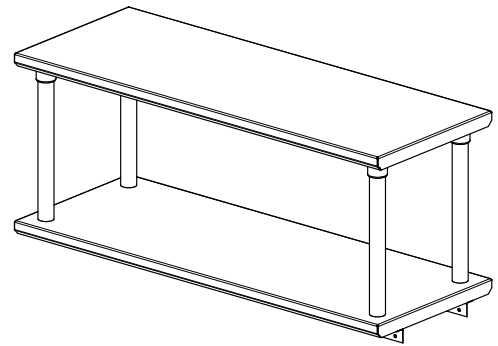
3601 S. Banker St. Effingham, IL 62401 • P.O. BOX 609 • Ph: (888) 431-2667 • Fax: (800) 433-2667

## **"PTS2" DOUBLE PASS-THRU SHELVES**

### **16 GAUGE**

#### **FEATURES:**

- INCLUDES LOWER PASS THROUGH SHELF AND OVERSHELF
- 16 GAUGE STAINLESS STEEL HAT CHANNEL ALLOWS SHELF TO BE FREELY POSITIONED IN FIELD
- INCLUDES WALL MOUNT BRACKETS TO SECURELY FASTEN SHELF TO WALL
- FURNISHED WITH STALLION EDGE TURNED DOWN 1-1/2" 90 DEGREES AND 1/2" BACK 45 DEGREES ALONG FRONT AND REAR
- ENDS ARE SQUARE TURNED DOWN 1-1/2" AT WALL
- OVERSHELF IS SECURED TO LOWERSHELF WITH 1" STAINLESS STEEL TUBING



#### **CONSTRUCTION:**

- ALL TIG WELDED, EXPOSED WELDS ARE POLISHED TO MATCH ADJACENT SURFACE

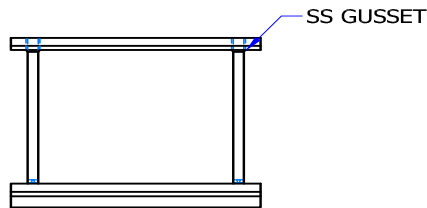
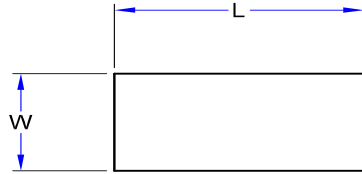
#### **MATERIAL:**

- 16 GAUGE TYPE 300 STAINLESS STEEL

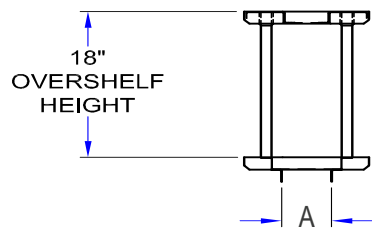
### **DOUBLE PASS-THRU SHELVES**

12" WIDTH	QTY	18" WIDTH	QTY	24" WIDTH	QTY
PTS26K-1224		PTS26K-1824		PTS26K-2424	
PTS26K-1236		PTS26K-1836		PTS26K-2436	
PTS26K-1248		PTS26K-1848		PTS26K-2448	
PTS26K-1260		PTS26K-1860		PTS26K-2460	
PTS26K-1272		PTS26K-1872		PTS26K-2472	
PTS26K-1284		PTS26K-1884		PTS26K-2484	
PTS26K-1296		PTS26K-1896		PTS26K-2496	
PTS26K-12108		PTS26K-18108		PTS26K-24108	
PTS26K-12120		PTS26K-18120		PTS26K-24120	
PTS26K-12132		PTS26K-18132		PTS26K-24132	
PTS26K-12144		PTS26K-18144		PTS26K-24144	

# DETAILED SPECIFICATIONS



PROVIDE SELF TAPPING SCREWS TO ATTACH ANGLES TO PAN



SPECIFY WALL THICKNESS

## DOUBLE PASS-THRU SHELVES

LENGTH	12" WIDTH	A	WT. (LBS)	18" WIDTH	A	WT. (LBS)	24" WIDTH	A	WT. (LBS)
24"	PTS26K-1224	4-3/4"	35.5	PTS26K-1824	10"	40.5	PTS26K-2424	7-1/2"	45.5
36"	PTS26K-1236	4-3/4"	48.5	PTS26K-1836	10"	55.5	PTS26K-2436	7-1/2"	63.5
48"	PTS26K-1248	4-3/4"	61.5	PTS26K-1848	10"	71.5	PTS26K-2448	7-1/2"	81.5
60"	PTS26K-1260	4-3/4"	74.5	PTS26K-1860	10"	86.5	PTS26K-2460	7-1/2"	99.5
72"	PTS26K-1272	4-3/4"	87.5	PTS26K-1872	10"	101.5	PTS26K-2472	7-1/2"	117.5
84"	PTS26K-1284	4-3/4"	105.5	PTS26K-1884	10"	122.5	PTS26K-2484	7-1/2"	140.5
96"	PTS26K-1296	4-3/4"	118.5	PTS26K-1896	10"	138.2	PTS26K-2496	7-1/2"	158.5
108"	PTS26K-12108	4-3/4"	131.5	PTS26K-18108	10"	153.5	PTS26K-24108	7-1/2"	175.5
120"	PTS26K-12120	4-3/4"	144.5	PTS26K-18120	10"	168.5	PTS26K-24120	7-1/2"	192.5
132"	PTS26K-12132	4-3/4"	157.5	PTS26K-18132	10"	184.5	PTS26K-24132	7-1/2"	210.5
144"	PTS26K-12144	4-3/4"	170.5	PTS26K-18144	10"	200.5	PTS26K-24144	7-1/2"	228.5

SOME UNITS SHIP UNASSEMBLED FOR REDUCED SHIPPING COST. ALL DIMENSIONS ARE TYPICAL. TOLERANCE +/- .500"

John Boos & Co. is constantly engaged in a program of improving products and therefore reserves the right to change specifications without prior notice.



3601 S. Banker St. • Effingham, IL 62401 • PO BOX 609 • quotes@johnboos.com

07302018



www.johnboos.com